

11-002 & 20AG Pressure Regulator

1/4", 3/8", and 1/2", G3/4, and G1 ports

Large diaphragm provides accurate and quick response to changing flow demands and line pressure

Floating valve pin provides positive valve seating

Balanced valve minimizes effect of variations in inlet pressure on outlet pressure

Standard relieving models allow reduction of downstream pressure when the system is dead-ended

Technical data

Fluid:

Compressed air, neutral gases

NOTE: Contact Norgren for use with other media.

Maximum pressure:

400 psig (28 bar)

Operating temperature*:

-30° to 175°F (-34° to 80°C)

*Air supply must be dry enough to avoid ice formation at temperatures below 35°F (2°C)

Typical flow with 150 psig (10 bar) inlet pressure, 90 psig (6.3 bar) set pressure and 15 psig (1 bar) droop from set:

1/4" and 3/8" ports: 60 scfm (28 dm³/s)

1/2" ports: 200 scfm (95 dm³/s)

Gauge ports

1/8" PTF with PTF main ports

Rc1/8 with ISO G and ISO Rc main ports

Materials

Body: Zinc

Bonnet: Aluminum

Valve: Brass and nitrile

Valve seat: Brass

Elastomers: Nitrile

Bottom plug

1/4" and 3/8" Ports: Brass

1/2" Ports: Nylon



11-002

20AG

Ordering Information

Models listed have T-bar adjustment, relieving diaphragm. PTF models are 5 to 125 psig (0.3 to 8.5 bar) outlet pressure adjustment range*. For alternative models please contact the factory.

Port Size	Model Number	Flow scfm (dm ³ /s)	Weight lbs (kg)
1/4"	11-002-013	60 (30)†	1.9 (0.86)
3/8"	11-002-037	60 (30)†	1.9 (0.86)
1/2"	11-002-061	200 (100)†	2.0 (0.91)
G3/4	20AG-X6G/PD100	160 (80)**	6.1 (2.75)
G3/4	20AG-X6G/PH100	160 (80)**	6.3 (2.85)
G1	20AG-X8G/PD100	200 (100)**	5.4 (2.44)
G1	20AG-X8G/PH100	200 (100)**	6.4 (2.90)

† Typical flow with 150 psig (10 bar) inlet pressure, 90 psig (6.3 bar) set pressure and 15 psig (1 bar) droop from set.

*Outlet pressure can be adjusted to pressures in excess of, and less than, those specified. Do not use these units to control pressures outside of the specified ranges.

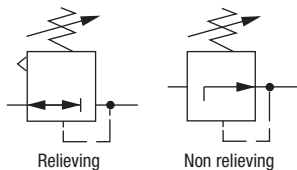
** Maximum flow with 7 bar inlet pressure, 4 bar outlet pressure and a pressure droop of 1 bar.

Service Kits

Type	Part number
Relieving, 1/4" and 3/8" ports	529-03
Relieving, 1/2" ports	535-03
Non-relieving, 1/4" and 3/8" ports	529-01
Non-relieving, 1/2" ports	535-01

Kit includes diaphragm, valve, valve spring, and o-rings.

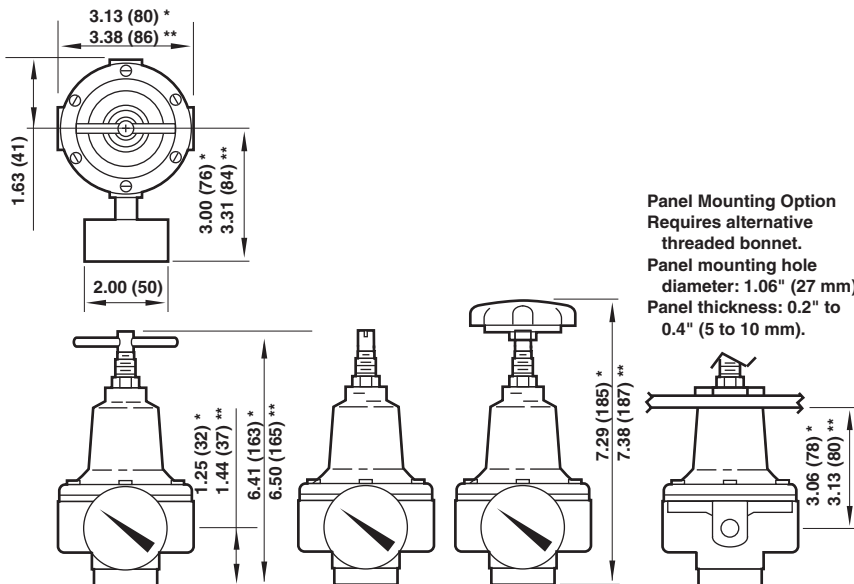
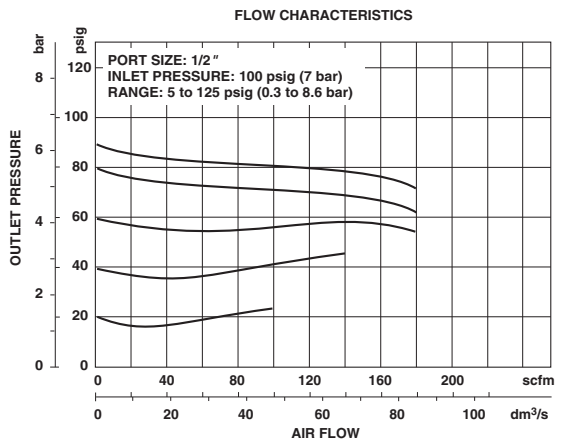
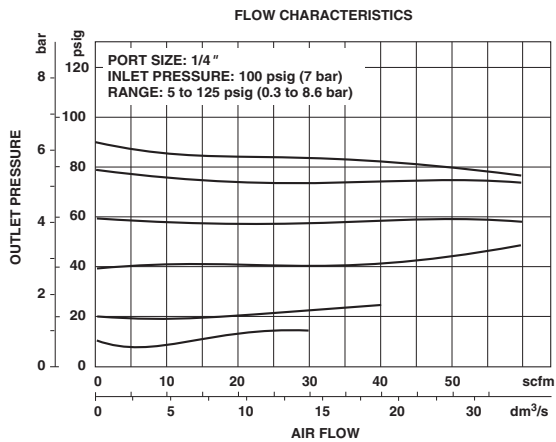
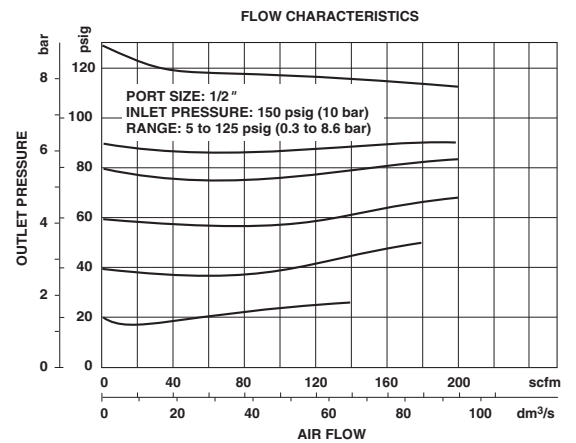
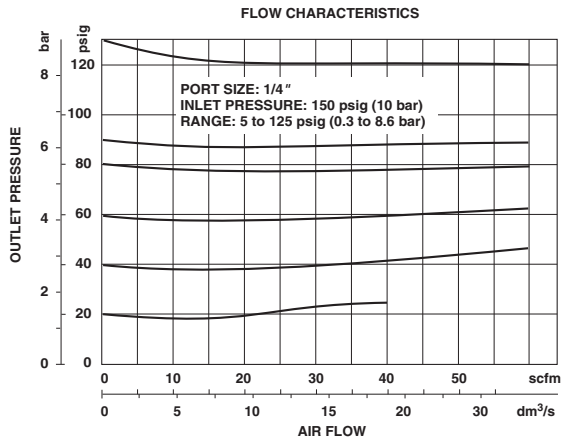
ISO Symbols



11-002 Pressure Regulator

1/4", 3/8", and 1/2" ports

Typical Performance Characteristics



* Regulators with 1/4" and 3/8" ports.

** Regulators with 1/2" ports.

Dimensions in inches (mm)