

Olympian Plus General Purpose Filter
 1/4", 3/8", 1/2", 3/4" Port Sizes

- Olympian Plus plug in design**
- High efficiency water and particle removal**
- Quick release bayonet bowl**
- High visibility prismatic sight glass**
- Optional service indicator**



Ordering Information. Models listed include PTF threads, yoke, automatic drain, metal bowl, 40 µm element. Models do not include the service life indicator.

Port Size	Model	Flow† scfm (dm³/s)	Weight lb (kg)
1/4"	F64G-2AN-AD3	59 (28)	3.13 (1.42)
3/8"	F64G-3AN-AD3	118 (56)	3.13 (1.42)
1/2"	F64G-4AN-AD3	125 (59)	2.91 (1.32)
3/4"	F64G-6AN-AD3	125 (59)	3.79 (1.72)

† Typical flow with a 40 µm element at 90 psig (6.3 bar) inlet pressure and a 5 psig (0.35 bar) pressure drop.

Alternative Models

F 6 4 G - ★ ★ ★ - ★ ★ ★

Port Size	Substitute
1/4"	2
3/8"	3
1/2"	4
3/4"	6
No yoke	N

Threads	Substitute
PTF	A
ISO Rc taper	B
ISO G parallel	G
No yoke	N

Service Life Indicator	Substitute
With (visual)	D
With (electrical)	E
Without	N

Element	Substitute
5 µm	1
25 µm	2
40 µm	3

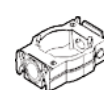
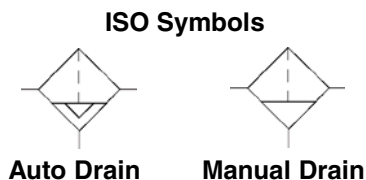
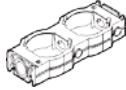
Bowl	Substitute
Metal with liquid level indicator	D
Transparent with guard	P

Drain	Substitute
Auto drain	A
Manual, 1/4 turn	Q

Accessories
Bracket kit

Bracket kit

3/2 Shut-off valve

Single Yoke

Double Yoke


F64G	Port Size	Bracket kit	Bracket kit	3/2 Shut-off valve	Single Yoke	Double Yoke
	1/4	-	74504-50	T64E-2AB-P1N	Y64A-2AA-N1N	Y64A-2AA-N2N
	3/8	-	74504-50	T64E-3AB-P1N	Y64A-3AA-N1N	Y64A-3AA-N2N
	1/2	-	74504-50	T64E-4AB-P1N	Y64A-4AA-N1N	Y64A-4AA-N2N
	3/4	-	74504-50	T64E-6AB-P1N	Y64A-6AA-N1N	Y64A-6AA-N2N

Technical Data

Fluid: Compressed air

Maximum pressure

Guarded transparent bowl: 150 psig (10 bar)

Metal bowl: 250 psig (17 bar)

Operating temperature*:

Guarded transparent bowl: -30° to 125°F (-34° to 50°C)

Metal bowl: -30° to 175°F (-34° to 80°C)

* Air supply must be dry enough to avoid ice formation at temperatures below 35°F (2°C).
 Partial removal: 5 µm, 25 µm or 40 µm. Within ISO 8573-1, Class 3 and Class 5
 Typical flow with 40 µm element at 90 psig (6.3 bar) inlet pressure and 5 psig (0.35 bar) pressure drop: 125 scfm (59 dm³/s)

Manual drain connection: Will fit 1/8-27 and 1/8-28 pipe thread.

Automatic drain connection: Will fit 1/8-27 and 1/8-28 pipe thread. - Flexible tube with 3/16" (5mm) minimum I.D. can be connected to the automatic drain. Drain may fail to operate if the tube I.D. is less than 3/16" (5mm). Avoid restrictions in the tube.

Automatic drain operating conditions (float operated):

Bowl pressure required to close drain: Greater than 5 psig (0.3 bar)

Bowl pressure required to open drain: Less than 3 psig (0.2 bar)

Minimum air flow required to close drain: 2 scfm (1 dm³/s)

Manual operation: Depress pin inside drain outlet to drain bowl

Nominal bowl size: 7 fluid ounce (0.2 liter)

Materials

Body: Zinc

Yoke: Zinc

Metal bowl: Aluminum

Standard metal bowl prismatic liquid level indicator lens: Grilamid

Optional metal bowl sight glass: Pyrex

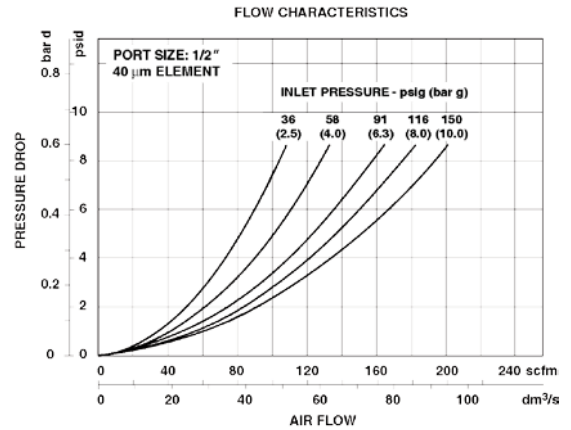
Optional transparent bowl: Polycarbonate

Element: Polypropylene

Elastomers: Nitrile

An automatic drain is a two-way valve, which will close when the system is pressurized. The drain opens when the float rises due to accumulated liquid and on depressurization.

Typical Performance Characteristics

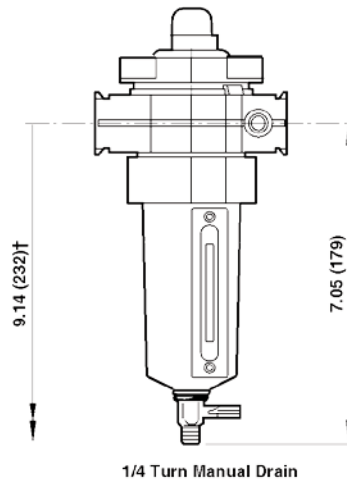
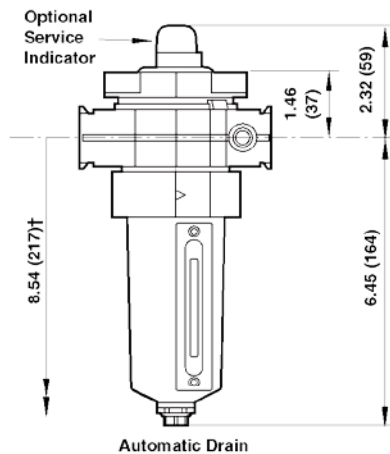
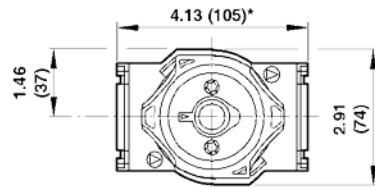


Service Kits

Item	Type	Part Number
Service kit	Seal and gasket	4380-200
Elements	5 µm	4338-01
	25 µm	4338-99
	40 µm	4338-02
Liquid level lens kit	Prismatic	4380-040
	Pyrex	4380-041
Replacement drains	Automatic	3000-10
	Manual	684-84

Service kit includes port seals, louver o-ring, bowl o-ring and drain gasket.

All Dimensions in Inches (mm)



* 6.18" (157 mm) for 3/4" models

† Minimum clearance required to remove bowl.