

**Olympian Plus
General Purpose Filter
3/4", 1", 1 1/4", 1 1/2" Port Sizes**

- **Olympian Plus plug in system**
- **Effective liquid removal and positive solid particle filtration**
- **Large filter element area provides minimum pressure drop**
- **Optional visual service indicator turns from green to red when the filter element needs to be replaced**
- **Optional electrical service life indicator provides electrical output when the filter element needs to be replaced - see page N/AL.8.900.920**


Technical Data

Fluid: Compressed air

Maximum pressure: 17 bar (250 psig)

Operating temperature*: -20° to +80°C (0° to +175°F)

* Air supply must be dry enough to avoid ice formation at temperatures below +2°C (+35°F).

Partical removal: 5, 25 or 40 µm

Air quality: Within ISO 8573-1, Class 3 and Class 5 (particulates)

Typical flow with a 40 µm element at 6,3 bar (90 psig) inlet pressure and a 0,5 bar (7 psig) pressure drop:
190 dm³/s (403 scfm)

1/4 turn manual drain connection: 1/8" pipe thread

Automatic drain connection: 1/8" pipe thread

Automatic drain operating conditions (float operated):

Bowl pressure required to close drain: Greater than 0,3 bar (5 psig)

Bowl pressure required to open drain: Less than 0,2 bar (3 psig)

Minimum air flow required to close drain: 1 dm³/s (2 scfm)

Manual operation: Depress pin inside drain outlet to drain bowl

Nominal bowl size:

0,5 litre (1 pint U.S.)

1 litre (1 quart U.S.)

Materials:

Body: Aluminium

Yoke: Aluminium

Bowl: Aluminium

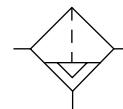
Liquid level indicator: Pyrex

Element: Sintered bronze

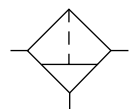
Elastomers: Synthetic rubber

Ordering Information

See *Ordering Information* on the following pages.

ISO Symbols


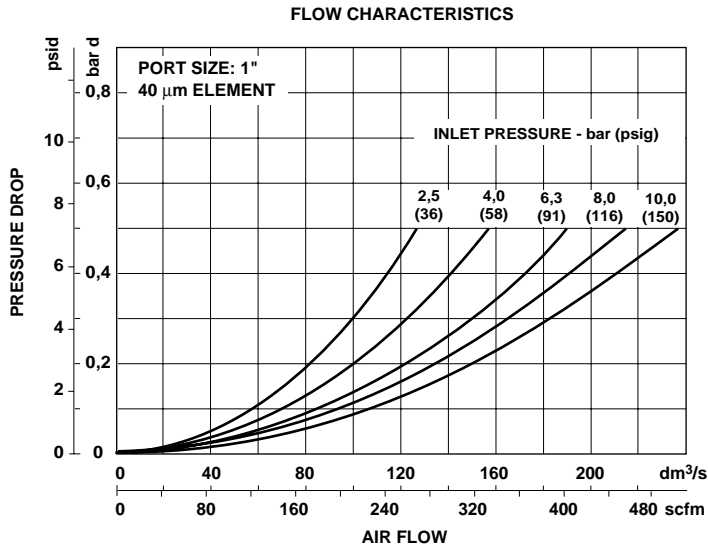
Automatic Drain



Manual Drain



Typical Performance Characteristics



Ordering Information. Models listed include a yoke with ISO G threads, filter with automatic drain, 40 µm element, and a 0,5 litre (1 pint U.S.) bowl.

Port Size	Model	Flow† dm³/s (scfm)	Weight kg (lb)
G3/4	F68G-6GN-AR3	160 (339)	2,45 (5.3)
G1	F68G-8GN-AR3	190 (403)	2,33 (5.1)
G1 1/4	F68G-AGN-AR3	200 (424)	2,43 (5.3)
G1 1/2	F68G-BGN-AR3	200 (424)	2,30 (5.0)

† Typical flow with a 40µm element at 6,3 bar (90 psig) inlet pressure and 0,5 bar (7 psig) pressure drop.

Alternative Models

F 6 8 G - ★ ★ ★ - ★ ★ ★

Port Size	Substitute
3/4"	6
1"	8
1 1/4"	A
1 1/2"	B
None	N

Threads	Substitute
PTF	A
ISO Rc taper	B
ISO G parallel	G
None	N

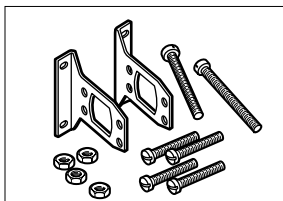
Service Life Indicator	Substitute
Visual	D
Electrical	E
Without	N

Element	Substitute
5 µm	1
25 µm	2
40 µm	3

Bowl	Substitute
1 litre (1 quart) without liquid level indicator	C
0,5 litre (1 pint) without liquid level indicator	M
0,5 litre (1 pint) with liquid level indicator	R
1 litre (1 quart) with liquid level indicator	U

Drain	Substitute
Automatic	A
No drain (Closed bowl)	E
Manual	M
Manual, 1/4 turn	Q

Accessories

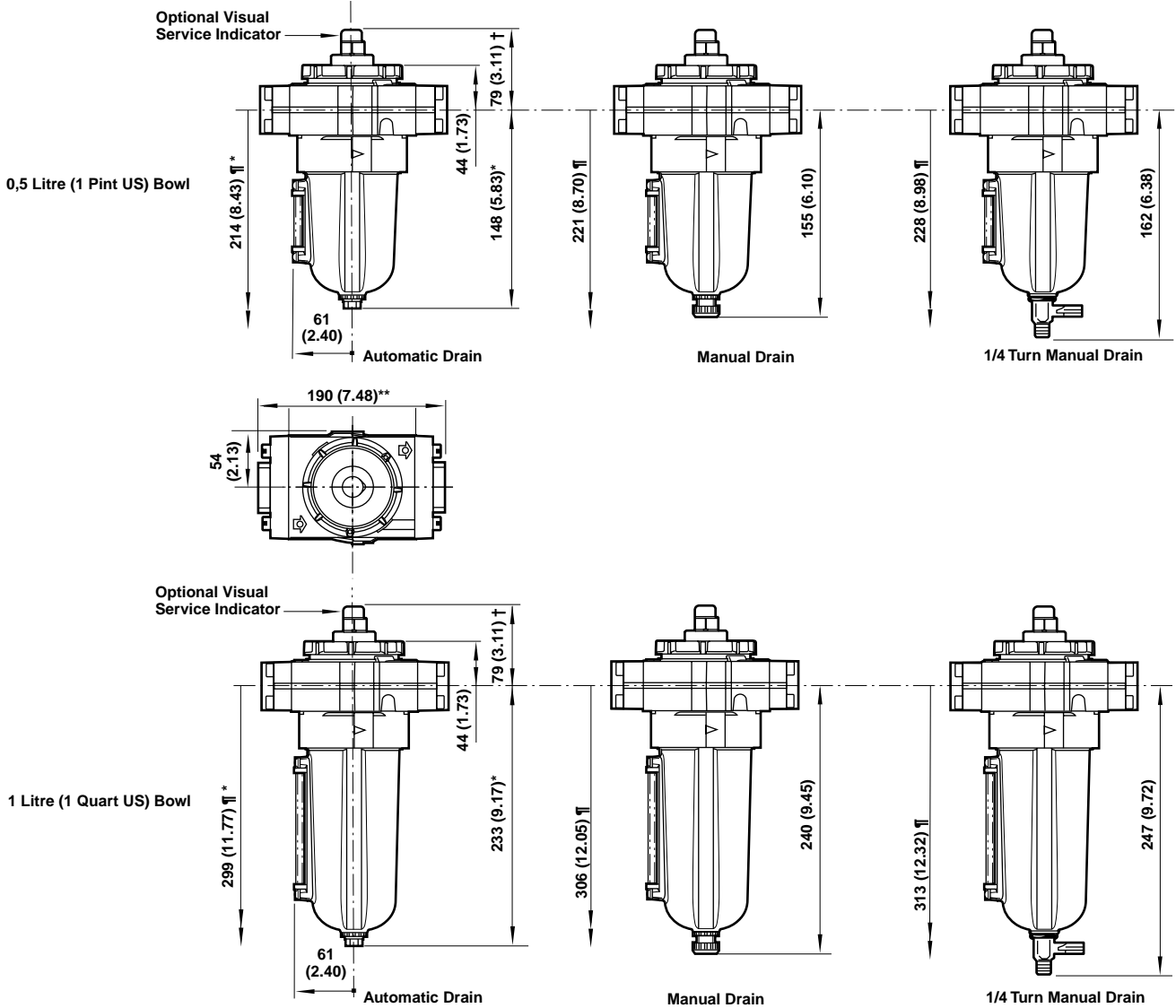


Wall Mounting Bracket

3/4" ported yoke:	18-001-979
1" ported yoke:	18-001-979
1 1/4" ported yoke:	18-001-978
1 1/2" ported yoke:	N/A



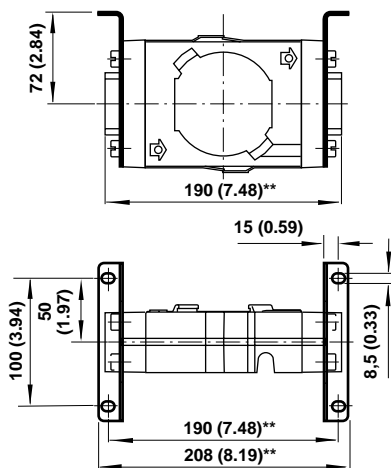
Dimensions mm (inches)



† For optional electrical service life indicator, subtract 10 mm (0.39").
 * For closed bottom bowl, subtract 9 mm (0.35").
 ** For 1-1/4" and 1-1/2" ported yokes, add 10 mm (0.39").
 † Minimum clearance required to remove bowl.

Bracket Mounting

Use 4 mm (5/32") screws to mount bracket to wall.



** Add 10 mm (0.39") for 1 1/4" and 1 1/2" models.

Bracket Kit Reference

Item	Type	Part Number
Wall Bracket	3/4" ported yoke	18-001-979
	1" ported yoke	18-001-979
	1 1/4" ported yoke	18-001-978
	1 1/2" ported yoke	N/A



Service Kits

Item	Type	Part Number
Service Kit	Seal and gasket	4380-300
Replacement Elements	5 µm	5576-97
	25 µm	5576-98
	40 µm	5576-99
Replacement Sight Glass	0,5 litre (1 pint US)	4380-060
	1 litre (1 quart US)	4380-061
Replacement Drains	Automatic (G 1/8 outlet)	3000-97
	Automatic (1/8 NPT outlet)	3000-10
	Manual	684-84
	Manual, 1/4 turn	619-50
Service Life Indicators	Visual	5797-50
	Electrical	4020-51R

Service kit Includes: Louver/element seals, drain seal, bowl seal.

Warning

These products are intended for use in industrial compressed air systems only. Do not use these products where pressures and temperatures can exceed those listed under **Technical Data**.

Before using these products with fluids other than those specified, for non-industrial applications, life-support systems, or other applications not within published specifications, consult NORGREN.

Through misuse, age, or malfunction, components used in fluid power systems can fail in various modes. The system designer is warned to consider the failure modes of all component parts used in fluid power systems and to provide adequate safeguards to prevent personal injury or damage to equipment in the event of such failure.

System designers must provide a warning to end users in the system instructional manual if protection against a failure mode cannot be adequately provided.

System designers and end users are cautioned to review specific warnings found in instruction sheets packed and shipped with these products.

Water vapor will pass through these units and will condense into liquid if air temperature drops in the downstream system. Install an air dryer if water condensation could have a detrimental effect on the application.