

R06 Miniature Brass Water/Air Regulator

1/8" and 1/4" PTF Port Sizes

Compact design, corrosion resistant construction

Brass body with choice of plastic or brass bonnet

Brass bonnet equipped with pressure adjusting screw

Non-relieving models for water and air service

Technical data

Fluid:

Water and compressed air, neutral gases

NOTE: Contact Norgren for use with other media.

Maximum pressure:

400 psig (27 bar)

Operating temperature

Water service: 35° to 150°F (2° to 65°C)†

Air service: -30° to 150°F (-34° to 65°C) *†

* Air supply must be dry enough to avoid ice formation at temperatures below 35°F (2°C).

Typical flow for water service at 100 psig (7 bar) inlet pressure, 60 psig (4 bar) set pressure and a droop of 15 psig (1 bar) from set: 1.3 gpm (4.9 lpm)

Typical flow for compressed air service at 100 psig (7 bar) inlet pressure, 90 psig (6.3 bar) set pressure and a droop of 15 psig (1 bar) from set: 12 scfm (5.7 dm³/s)

Gauge ports:

1/8" PTF

Materials

Body: Brass

Bonnet

Standard: Acetal resin

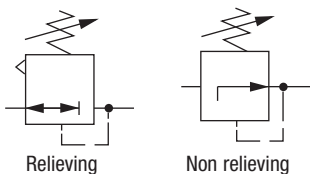
Optional: Brass

Valve: Brass/nitrile

Valve seat: Acetal resin

Elastomers: Nitrile

ISO Symbols



R06 221



R06 222

Ordering Information

Models listed have PTF threads, non-relieving diaphragm, and no gauge.

Port	Model	Flow* scfm (dm ³ /s)	Flow** gpm (lpm)	Weight lb (kg)
1/8" PTF	R06 121 NNKA	12 (5.7)	1.3 (4.9)	0.2 (0.09)
1/4" PTF	R06 221 NNKA	12 (5.7)	1.3 (4.9)	0.2 (0.09)

* Approximate flow with 100 psig (7 bar) inlet pressure, 90 psig (6.3 bar) set pressure and a 15 psig (1 bar) droop from set.

** Approximate flow with 100 psig (7 bar) inlet pressure, 60 psig (4 bar) set pressure and a 15 psig (1 bar) droop from set.

Alternative Models

Port Size	Substitute	Bonnet	Substitute	Diaphragm	Substitute	Outlet Pres Adj†	Substitute	Gauges	Substitute
1/8"	1	Plastic	21	Relieving	R	1 to 10 psig (0.1 to 0.7 bar)	A	With	G
1/4"	2	Brass	22	Non-relieving	N	5 to 50 psig (0.3 to 3.5 bar)	E	Without	N
						5 to 100 psig (0.3 to 7 bar)	K		
						5 to 125 psig (0.3 to 8.6 bar)	L		

† Outlet pressure can be adjusted to pressures in excess of, and less than, those specified. Do not use these units to control pressures outside of the specified ranges.

R06 Miniature Brass Body Regulator

Water and Compressed Air Service

1/8" and 1/4" PTF Port Sizes

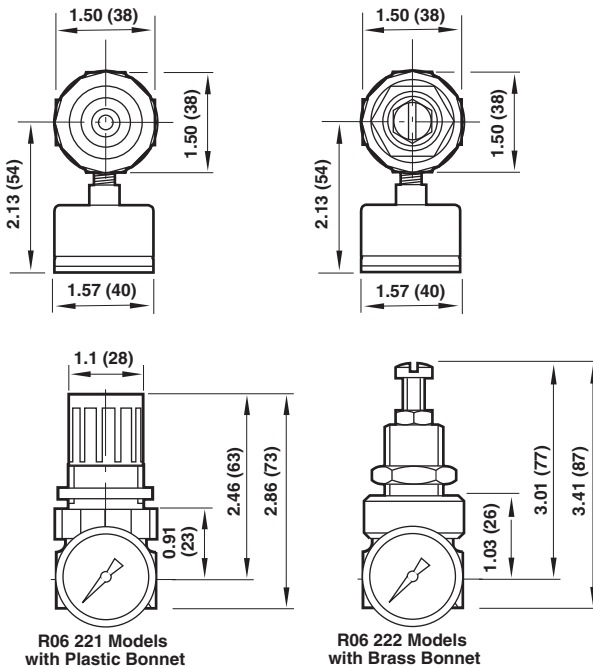
Dimensions in inches (mm).

Panel mounting hole diameter:

Models with plastic bonnet: 1.19" (30 mm)

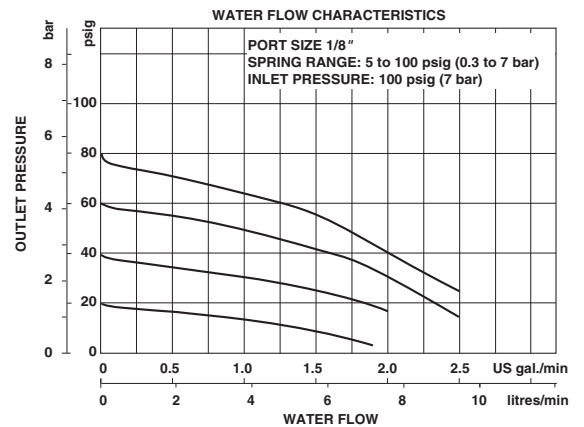
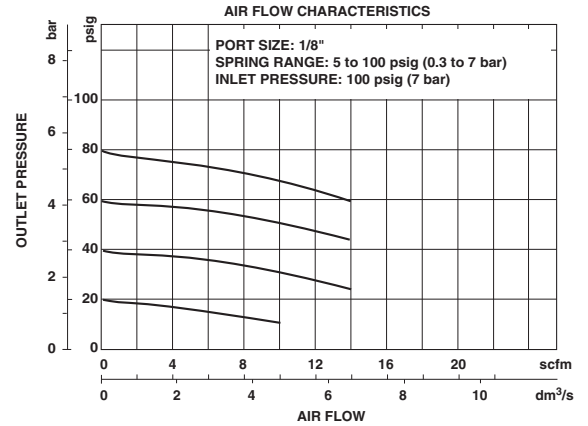
Models with brass bonnet: 0.81" (21 mm)

Maximum panel thickness: 0.25" (6 mm)



† Brass bonnet & body combination max temperature 200°F

Typical Performance Characteristics



Service Kits

Item	Type	Part number
Service Kit	Relieving	3407-18
	Non relieving	3407-17

Service kit includes slip ring, diaphragm, standard valve seat with o-ring, valve, valve spring.