

**Olympian Plus  
Regulator  
1/4", 3/8", 1/2", 3/4" Port Sizes**

- **Olympian Plus plug in design**
- **High flow general purpose regulator**
- **Push to lock adjusting knob with tamper resistant option**
- **Mount in any orientation**


**Technical Data**

Fluid: Compressed air

Maximum pressure: 17 bar (250 psig)

Operating temperature\*: -20° to +80°C (0° to +175°F)

\* Air supply must be dry enough to avoid ice formation at temperatures below +2°C (+35°F).

Typical flow at 10 bar (150 psig) inlet pressure, 6,3 bar (90 psig) set pressure and a droop of 1 bar (15 psig) from set: 120 dm<sup>3</sup>/s (254 scfm)

Gauge Ports:

1/8" PTF with PTF main ports

1/8" ISO Rc with ISO Rc main ports

1/8" ISO Rc with ISO G main ports

Materials:

Body: Zinc

Bonnet: Aluminium

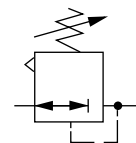
Yoke: Zinc

Valve: Brass

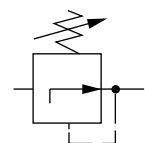
Elastomers: Synthetic rubber

**Ordering Information**

See *Ordering Information* on the following pages.

**ISO Symbols**


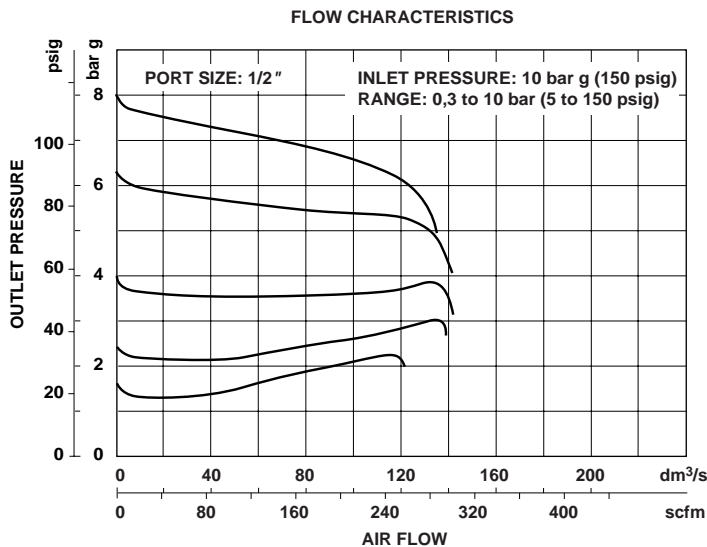
Relieving



Non Relieving



### Typical Performance Characteristics



**Ordering Information.** Models listed include unidirectional flow, ISO G threads, knob adjustment, relieving diaphragm, 0,3 to 10 bar (5 to 150 psig) outlet pressure adjustment range\* without gauge.

| Port Size | Model        | Flow† dm³/s (scfm) | Weight kg (lb) |
|-----------|--------------|--------------------|----------------|
| G1/4      | R64G-2GK-RMN | 35 (74)            | 1,54 (3.42)    |
| G3/8      | R64G-3GK-RMN | 80 (170)           | 1,52 (3.38)    |
| G1/2      | R64G-4GK-RMN | 120 (254)          | 1,49 (3.31)    |
| G3/4      | R64G-6GK-RMN | N.A.               | 1,85 (4.11)    |

† Typical flow with 10 bar (150 psig) inlet pressure, 6,3 bar (90 psig) set pressure and a 1 bar (15 psig) droop from set.

For replacement regulator (without yoke) substitute 'N' at the 5th and 6th digits eg: R64G-**NNK**-RMN.

### Alternative Models



| Flow Type    | Substitute |
|--------------|------------|
| Standard     | G          |
| Reverse flow | R          |

| Port Size | Substitute |
|-----------|------------|
| 1/4"      | 2          |
| 3/8"      | 3          |
| 1/2"      | 4          |
| 3/4"      | 6          |

| Threads        | Substitute |
|----------------|------------|
| PTF            | A          |
| ISO Rc taper   | B          |
| ISO G parallel | G          |

| Gauge   | Substitute |
|---------|------------|
| With    | G          |
| Without | N          |

| Outlet Pressure Adjustment Range* | Substitute |
|-----------------------------------|------------|
| 0,3 to 4 bar (5 to 60 psig)       | F          |
| 0,3 to 10 bar (5 to 150 psig)     | M          |
| 0,7 to 17 bar (10 to 250 psig)    | S**        |

| Diaphragm     | Substitute |
|---------------|------------|
| Relieving     | R          |
| Non relieving | N          |

| Adjustment | Substitute |
|------------|------------|
| Knob       | K          |
| T-bar      | T          |

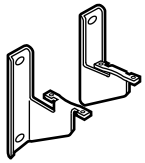


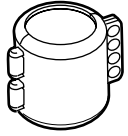
\* Outlet pressure can be adjusted to pressures in excess of, and less than, those specified. Do not use these units to control pressures outside of the specified ranges.

\*\* Units with 17 bar (250 psig) outlet pressure range are available only with the T-bar adjustment; therefore substitute **T** at the 7th digit and **S** at the 9th position.

Please contact our technical service for details of non standard models including maximum pressure stop, etc.



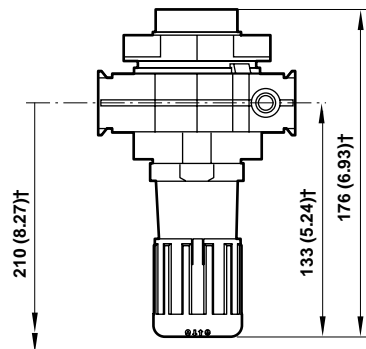
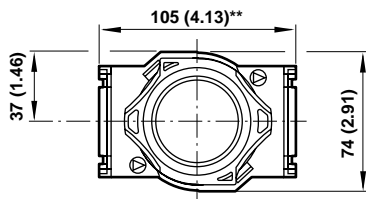
**Accessories**

|  |   |  |  |
|--|---|--|--|
| <br>Wall Mounting Bracket<br>74504-50 | <br>Panel Nut<br>4348-89 | <br>Ø 50 mm<br>Pressure Gauge<br>R1/8 Connection<br>1/8 PTF Connection | <br>Tamper Resistant Kit<br>4355-50<br>Seal Wire: 2117-01 |
|  |   | 4 bar (60 psig):<br>10 bar (150 psig):<br>25 bar (360 psig):   | 18-013-012<br>18-013-013<br>18-013-014<br>18-013-202<br>18-013-204<br>18-013-206   |

**Dimensions mm (inches)**

Panel mounting hole diameter: 52 mm (2.06")

Panel thickness: 0 to 6 mm (0" to 0.25")

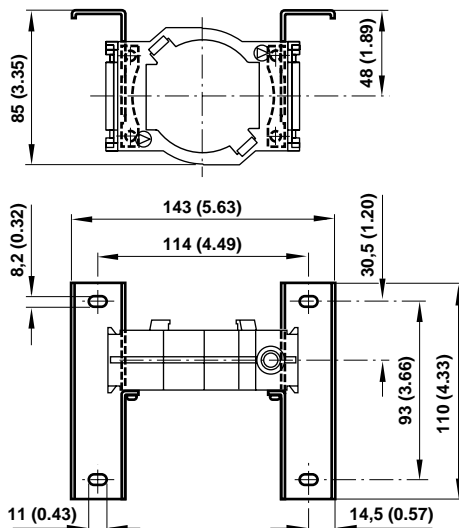


† Reduces by 4 mm with knob in locked position. Add 37 mm for unit with 'T' handle.

\*\* 157 mm (6.18") for G3/4 models

**Bracket Mounting**

Use 8 mm (5/16") screws to mount bracket to wall.



**Bracket Kit Reference**

| Item         | Part Number |
|--------------|-------------|
| Wall bracket | 74504-50    |



### Service Kits

| Item        | Type          | Part Number |
|-------------|---------------|-------------|
| Service kit | Relieving     | 4381-200    |
|             | Non relieving | 4381-201    |

Service kit includes port and bottom plug 'O' rings, valve assembly, valve spring and diaphragm.

### Warning

These products are intended for use in industrial compressed air systems only. Do not use these products where pressures and temperatures can exceed those listed under **'Technical Data'**.

Before using these products with fluids other than those specified, for non-industrial applications, life-support systems, or other applications not within published specifications, consult NORGREN.

Through misuse, age, or malfunction, components used in fluid power systems can fail in various modes. The system designer is warned to consider the failure modes of all component parts used in fluid power systems and to provide adequate safeguards to prevent personal injury or damage to equipment in the event of such failure.

**System designers must provide a warning to end users in the system instructional manual if protection against a failure mode cannot be adequately provided.**

System designers and end users are cautioned to review specific warnings found in instruction sheets packed and shipped with these products.

Water vapor will pass through these units and will condense into liquid if air temperature drops in the downstream system. Install an air dryer if water condensation could have a detrimental effect on the application.