

**Use with non-potable water (non-relieving only) and compressed air systems (Non relieving and relieving models.)**



**Technical data**

**Fluid**

Compressed air and non-potable water, neutral gases

**NOTE:** Contact technical support for use with other media.

**Maximum pressure:**

150 psig (10 bar)

**Operating temperature**

Water service: 35° to 125°F (2° to 52°C)

Air service: 0° to 125°F (-20° to 52°C)\*

\* When used in air service, air supply must be dry enough to avoid ice formation at temperatures below 35°F (2°C).

**Gauge ports:**

1/8 PTF with PTF main ports  
R1/8 with ISO G main ports

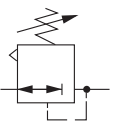
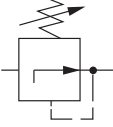
**Materials**

Body and bonnet: acetal  
Valve: brass, nitrile

Valve seat: acetal  
Valve seat o-ring: nitrile  
Diaphragm: acetal, nylon inserted nitrile  
Gauge port plugs: nylon

**Ordering information**

Models listed include PTF threads, knob adjustment, non relieving diaphragm, 5 to 125 psig (0.3 to 8.6 bar) outlet pressure adjustment range†, and without gauge.

ISO Symbols	Inlet Port	Application	Model	Flow* scfm (dm3/s)	Weight lb (kg)
 Relieving  Non relieving	1/4"	Industrial air and non-potable water	R91G-2AK-NLN	24 (11)	0.15 (0.07)

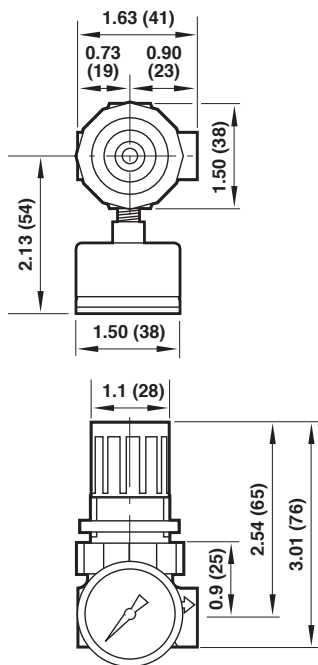
\* Typical flow for compressed air service at 150 psig (10 bar) inlet pressure, 90 psig (6.3 bar) set pressure and a droop of 15 psig (1 bar) from set.

**Alternative Models**

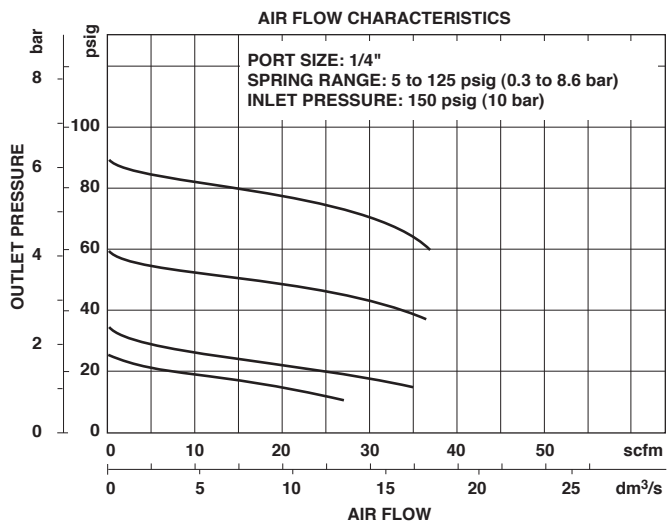
**R91G-2AK-★ ★ N**

Outlet Pressure Adjustment Range	Substitute
5 to 50 psig (0.3 to 3.5 bar)	E
5 to 125 psig (0.3 to 8.6 bar)	L
Diaphragm	Substitute
Non relieving	N
Relieving	R

Panel mounting hole diameter 1.19" (30 mm)  
Maximum panel thickness 0.25" (6 mm)



### Typical Performance Characteristics



### Service Kits

Item	Type	Part number
Service Kit	R91G, non relieving	3407-94
	R91G, relieving	3407-95

Service kit contains slip ring, diaphragm, valve seat with o-ring, valve, and valve spring.

Dimensions in inches (mm)